

MADE IN GERMANY FOR OVER 100 YEARS.  
DEDICATED TO DIGNIFIED CARE.

# VÖLKER

## S 964 Hospital Bed





Every person has a right to be treated with respect and dignity. Especially people in need of care. We think, develop and manufacture with this in mind.

## Völker S 964. Innovation in true Völker tradition.

Made in Germany for over 100 years. Dedicated to dignified care. In keeping with this principle, Völker develops and produces hospital beds that allow patients to feel comfortable and recover as fully as possible. With their extensive functionality, our beds are versatile enough for any healthcare environment, and their appearance provides every patient room with a particularly comfortable atmosphere to promote recovery.

Our beds combine form and function to meet the needs of both patients and caregivers.

Our manufacturing process in Germany ensures the highest quality and processing standards for all our beds. With intensive guidance (even after purchasing), fast logistic and technical service and advanced training opportunities, we offer our customers a large number of useful additional services.

This makes it possible to enhance the care process, reduce follow-up costs and increase caregiver satisfaction – not to mention giving staff more time to provide dignified care.

The Völker S 964 is a clear expression of our philosophy. As a hospital bed, it offers the four functions described below, as well as setting a new standard for hospital beds that is appreciated by patients and carers alike.

### A new standard for hospital beds. The Völker S 964:

- Low bed height of approx. 29 cm. Significantly reduces the severity of injuries in the event of a fall.
- Bed height can be adjusted up to 89 cm. Allows caregivers to adopt an ergonomic working position.
- Split siderail with adjustable height. Moves with the adjustable lying surface.
- The innovative Völker Micro-stimulation System MiS®. For increased patient comfort and improved sleep.



## Attractive appearance and impressive functionality. In any room. Völker S 964.

The Völker S 964 follows Völker's unique Healthcare Design. It provides each patient room with an especially home-like atmos-

phere. This is an important factor in promoting wellbeing and encouraging a fast recovery.





The Völker S 964 is has been designed to ideally suit all typical clinical applications. It also ensures that your hospital retains

an attractive appearance throughout. Your work will also benefit greatly from the advantages of the new Völker S 964.



## Patented. The Völker siderail system.

The patented Völker siderail system is characterised by its exceptional versatility. It consists of separate elements that are split on both sides and can be adjusted to either one or two levels. This ensures that patients feel adequately protected from accidentally rolling out of the bed. As the siderails are highly versatile and robust, they can also assist mobilisation.

The side elements are directly integrated into the lying surface. The rails at the head and foot move with the bed as it is adjusted.

The Völker siderail system meets the professional standard for the prevention of falls. Each element is exceptionally robust and cannot be unfastened when under load. This makes it an ideal aid for the patient when leaving the bed from the side and provides a secure support when they are attempting to walk.



## Comfortable. The Völker MiS® Micro-stimulation System.



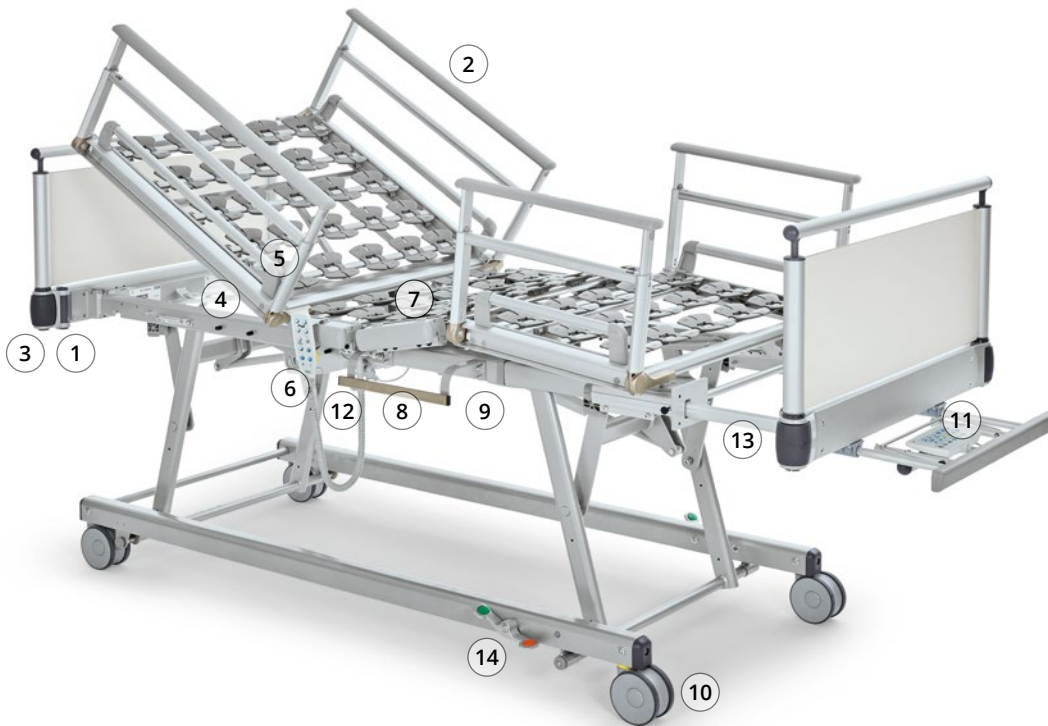
The patented Völker MiS® Micro-stimulation System is based on neuroscience principles. It detects even minor movements made by the patient. The lying surface then feeds these back through the mattress and to the patient's body as tactile stimuli. This continuous feedback increases the patient's body perception, and promotes movement and blood circulation in the skin. Comfort is improved when the patient is sleeping or lying down, mobility is increased and the risk of bed sores is reduced.

## Orientated. The under-bed light.

Eases orientation at night. Controlled using the hand control unit.



## Völker S 964. Carefully designed down to the smallest detail.



- 1 Head and foot end adapters for IV poles on both sides
- 2 Double-height siderails, split into two elements
- 3 Horizontal bumpers on all four edges of the bed
- 4 Angle gauge on both sides \*
- 5 Mattress compensation
- 6 Hand control unit
- 7 Fully removable lying surface  
Lying surface in four parts, infinitely adjustable; with Völker MiS® or HPL \* panels
- 8 Accessory rails on both sides \*
- 9 Under-bed light \*
- 10 Double castors \*
- 11 Nurse control in the bedding storage \*
- 12 Plug & play sockets: Operating controls can easily be moved from right to left
- 13 Bed extension \*
- 14 Brake alarm \*

\* Optionally available

→ Bed height adjustable from approx. 29 cm to approx. 89 cm, depending on the configuration.

→ Lying surface optionally available with a width of 100 cm.

→ Safe workload of 270 kg

→ Model S 964 W, suitable for use in a washing system, available from 2018.

## Play it safe. With Völker Service.

Völker Service maximises the return on your investment in Völker beds. Our Service team will also take responsibility for a large amount of the work and requirements that arise from the German Medical Devices Act and other legislation.

All of our service technicians are qualified and

experienced testers who are very familiar with the medical devices they inspect. They will test and service your beds meticulously, observing all of the legal requirements.

Any defects are usually fixed immediately and therefore at optimum cost.

Völker Service additionally compiles detailed legal documentation and checks all records to ensure that they are complete.

We would be happy to discuss which Völker Service options would best suit your needs. Simply get in touch.

# VÖLKER

MADE IN GERMANY FOR OVER 100 YEARS.  
DEDICATED TO DIGNIFIED CARE.

Völker reserves the right to make changes to the design, specifications and models without prior notice. Products may vary slightly from the colours shown here. Subject to printing errors. All information is non-binding.

Not all products/options are available in all countries. For further information on our products or services, please contact your local Völker representative or visit our website.

©2018 Völker | All rights reserved

**VÖLKER**

[www.voelker.de](http://www.voelker.de)



**HEALTHCAREBEDS  
AUSTRALIA**

[info@healthcarebedsaust.com.au](mailto:info@healthcarebedsaust.com.au)